

SPECIFICATION

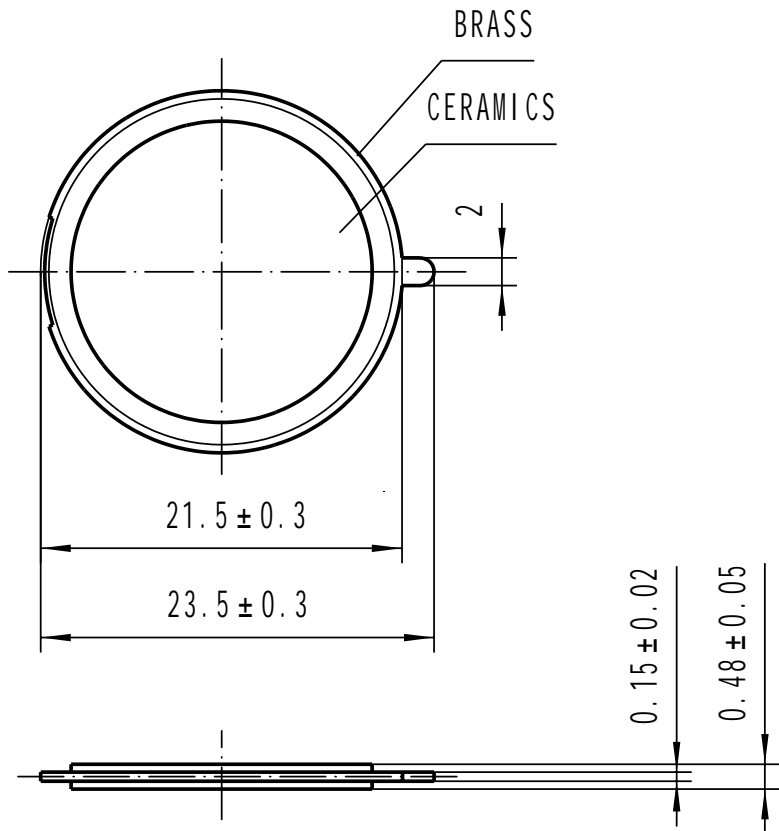
1. SCOPE

This specification is applied to the piezo-element.

2. SPECIFICATION (at 25 °C)

- 2.1 Resonant Frequency : 4.3 ± 0.5 KHz
- 2.2 Resonant Resistance : 100 max
- 2.3 Capacitance : 100000 pF ± 30% at 100Hz
- 2.4 Input Voltage : 30 Vp-p max
- 2.5 Operating Temperature : -20 ~ +50
- 2.6 Storage Temperature : -20 ~ +60

3. DIMENSION as per figure



TOLERANCES UNLESS NOTED OTHERWISE .X ± .XX ± .XXX ± 90° FORMED +2° ANGLES -1°		SIGN	DATE	KEPO MODEL NO.	CUSTOMER				
		DRAWN		02.08.28	HFT-21.5T-4.3AS	CUSTOMER NO.			
		DESIGN				DWG NO.			
		CHECK			KP3.842.839	REV	1.0	SHEET	
		APPROVED				UNIT:		SCALE	
CONTRACT NO.									
FIRST ANGLE PROJECTION		AGENCY APPROVAL		KEPO CO. LTD.		TEL: (+86)574-88370330 FAX: (+86)574-88370329			